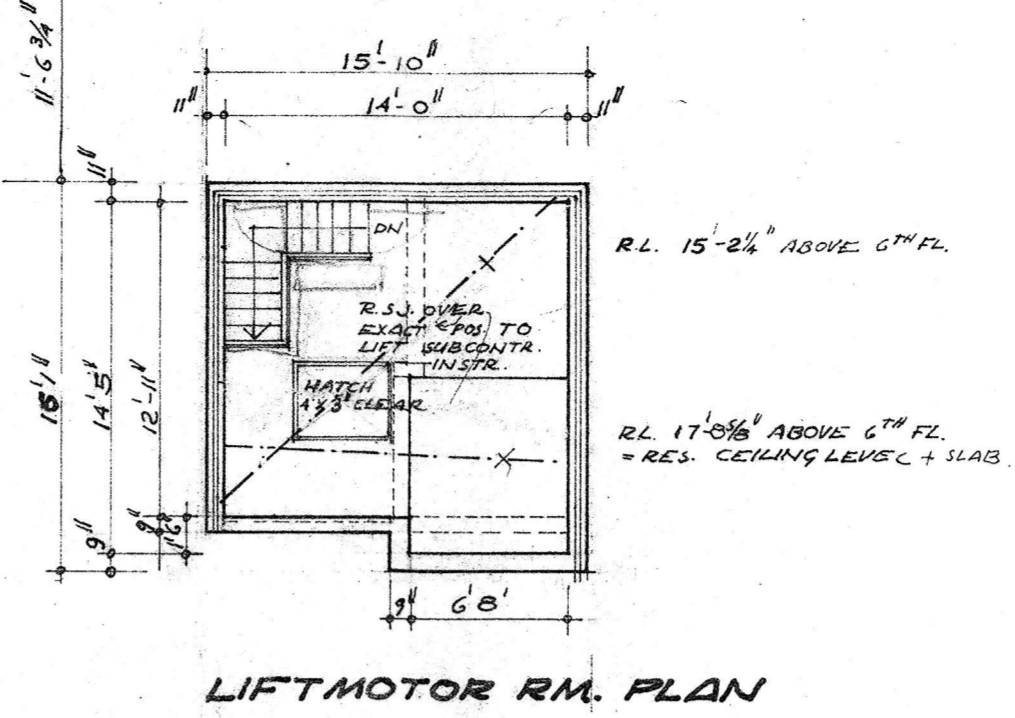
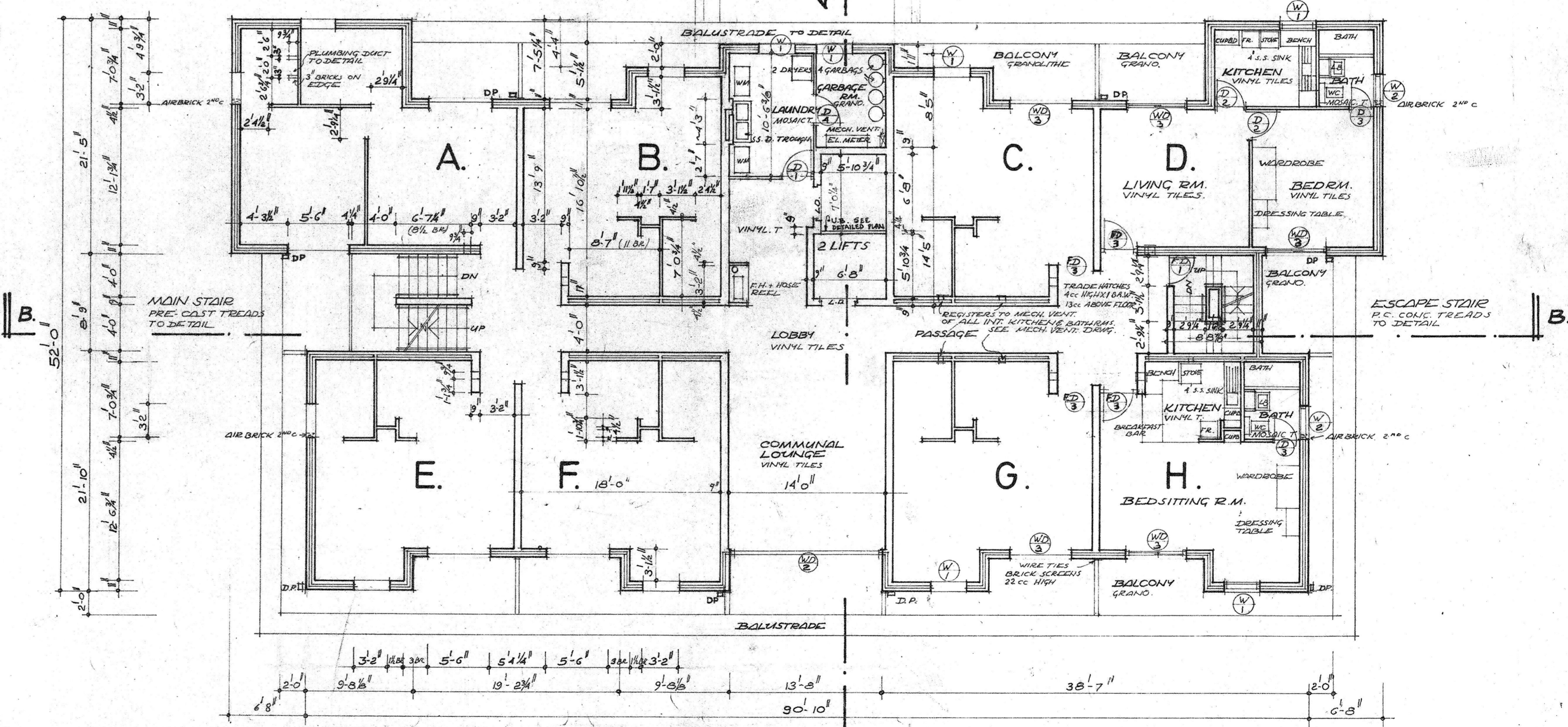
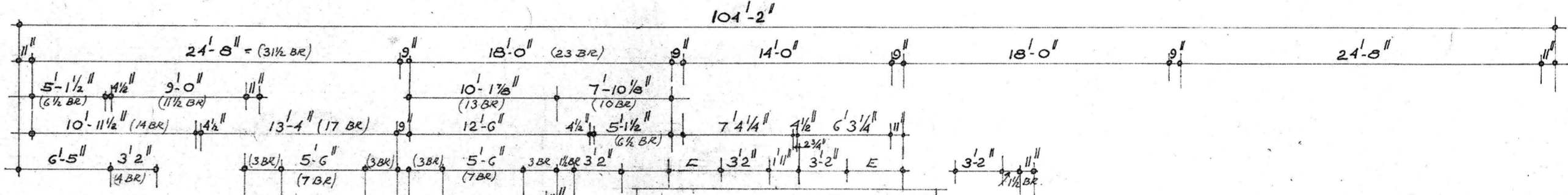


PLAN - CARETAKERS RESIDENCE



LIFTMOTOR RM. PLAN

TYPICAL UNIT	A.	B.	C.	D.	E.	F.	G.	H.
UNIT N° ON 6 TH FLOOR	61	62	63	64	65	66	67	68
- 1 -	5 TH	- 1 -	51	52	53	54	55	56
- 2 -	4 TH	- 1 -	41	42	43	44	45	46
- 3 -	3 RD	- 1 -	31	32	33	34	35	36
- 4 -	2 ND	- 1 -	21	22	23	24	25	26
- 5 -	1 ST	- 1 -	11	12	13	14	15	16
- 6 -	GROUND FL.	- 1 -	1	2	3	4	5	6



TYPICAL FLOOR PLAN

REVISIONS:		
NO.	DATE	DESCRIPTION:
1.	20.7.71	LAUNDRY REARRANGED

CONTRACTOR TO CHECK ALL DIMENSIONS ON SITE PRIOR TO COMMENCEMENT OF WORK

SWAN COTTAGE HOMES - PROJECT NO. 12
MULTI-STOREY HOME FOR THE AGED

BOLLIG, ABBOTT AND PARTNERS ARCHITECTS AND TOWN PLANNERS
8 COOK ST, W. PERTH TEL. 214402
FLOOR PLANS

DRAWN: D.S.
CHECKED: FEB 71.
DATE:
SCALE: 1/8" = 1'-0"

JOB NO
7025
SHEET
3

