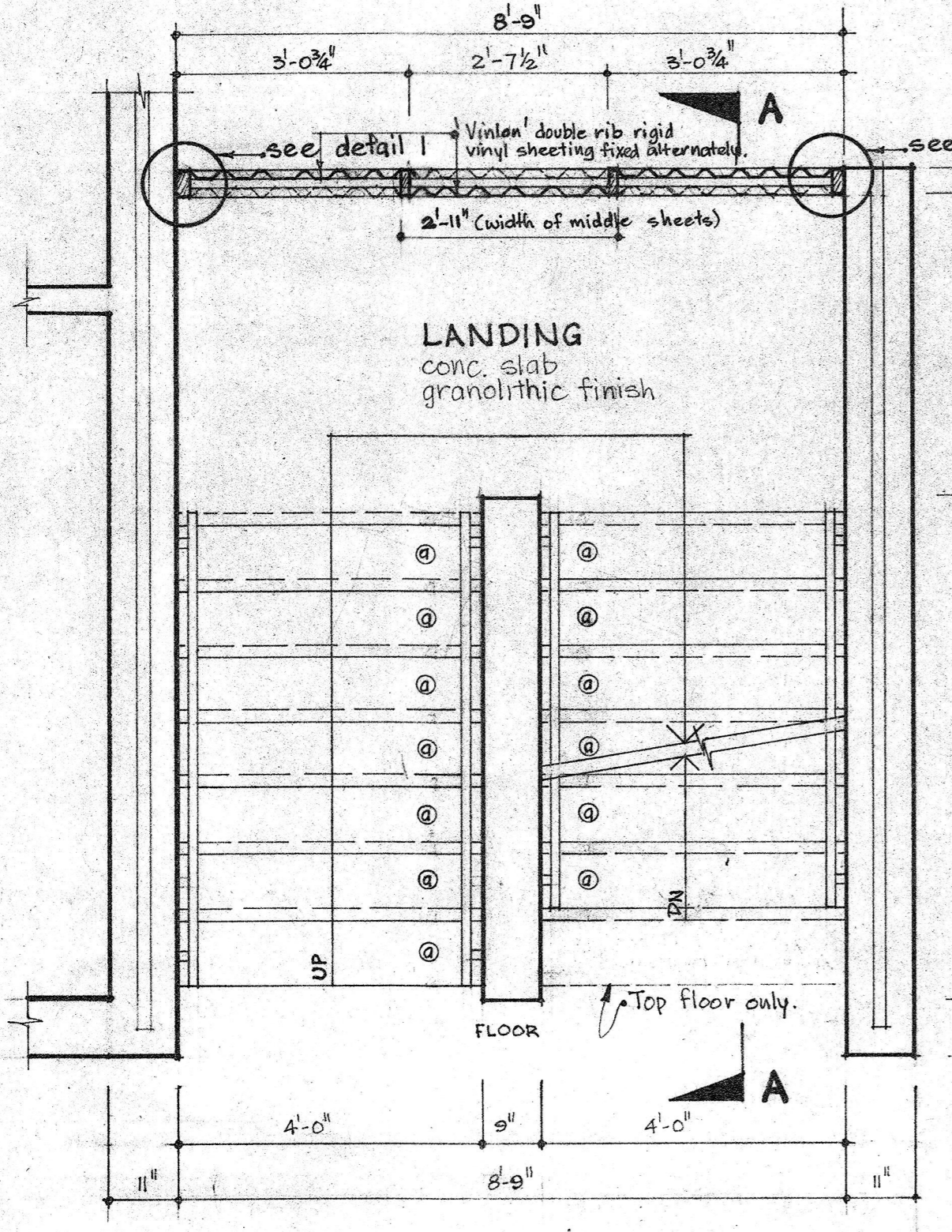
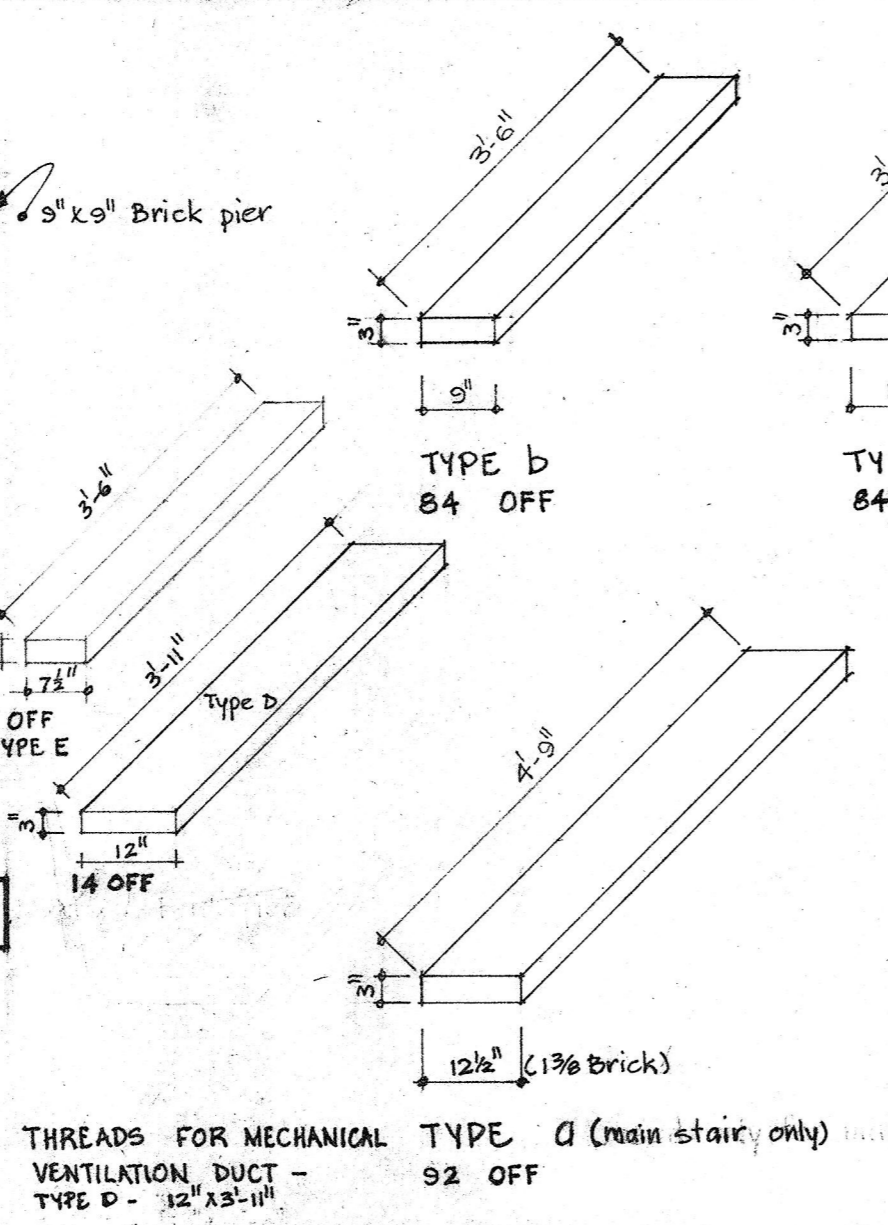


PLAN - MAIN STAIRS AT CARETAKER'S FLOOR
SCALE: 1/2" TO 1'-0"



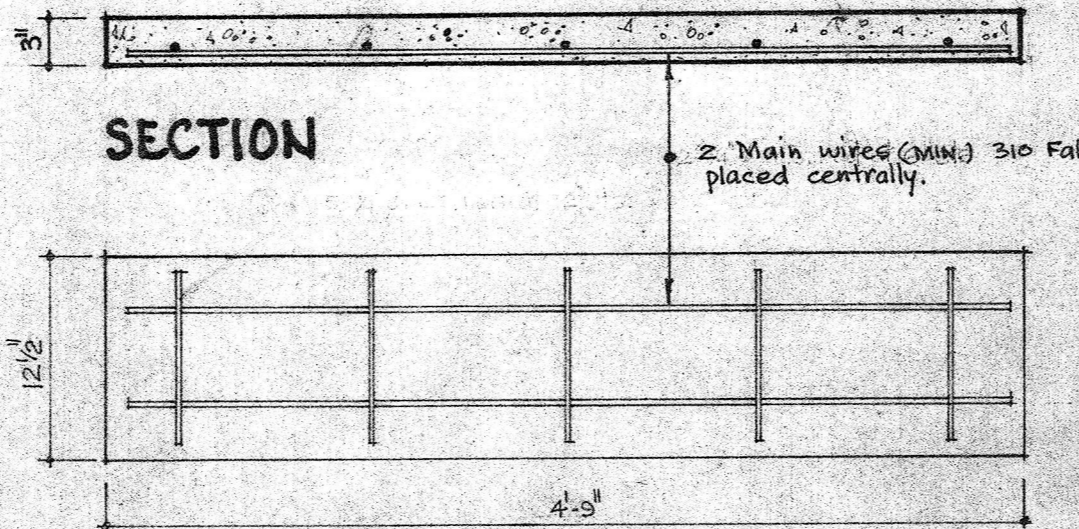
TYPICAL PLAN - MAIN STAIRS
SCALE: 1/2" TO 1'-0"



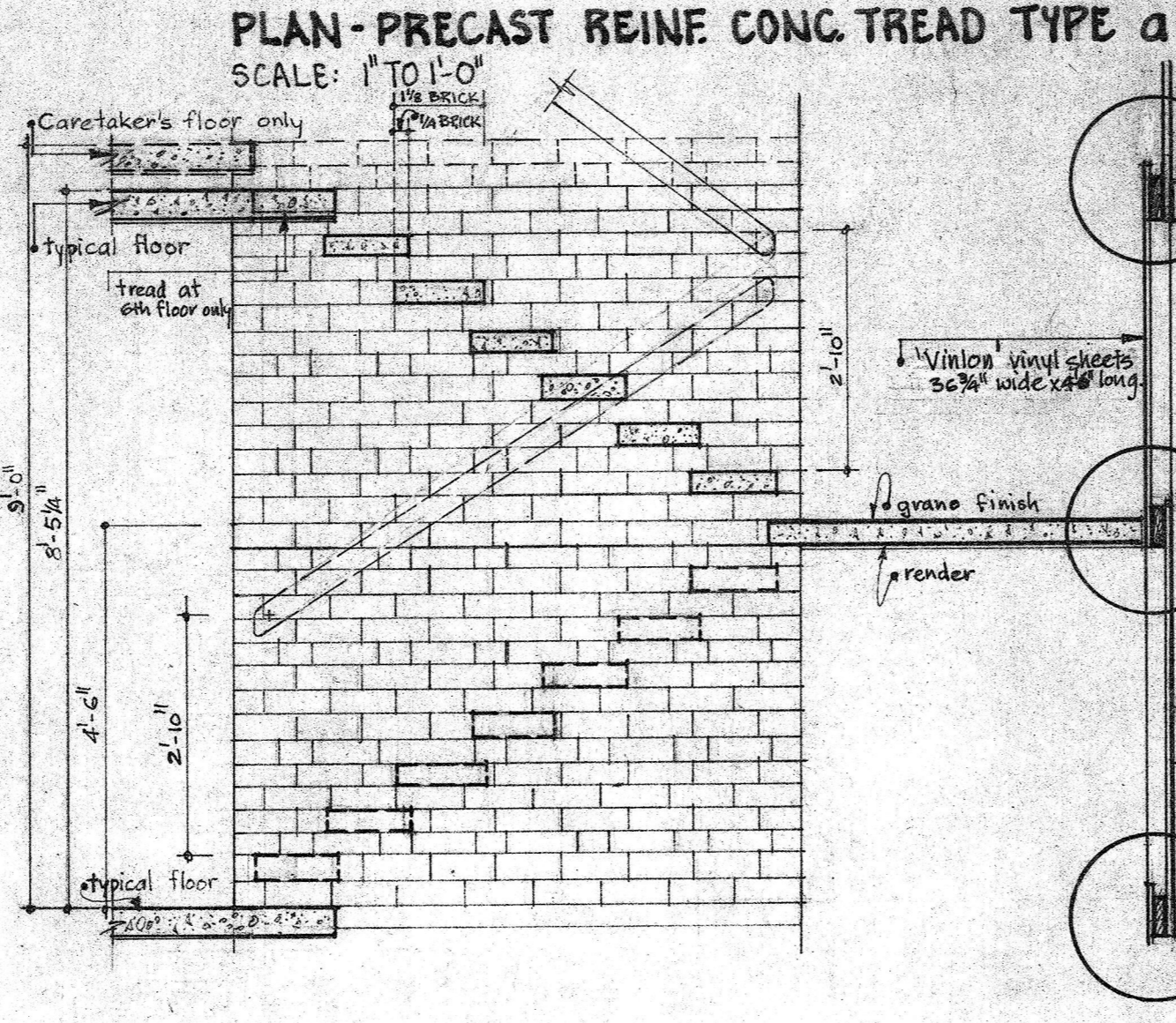
PRECAST REINF. CONC TREADS
SCALE: 1/2" TO 1'-0"



SECTION A AT GR. FLOOR
SCALE: 1/2" FULL SIZE



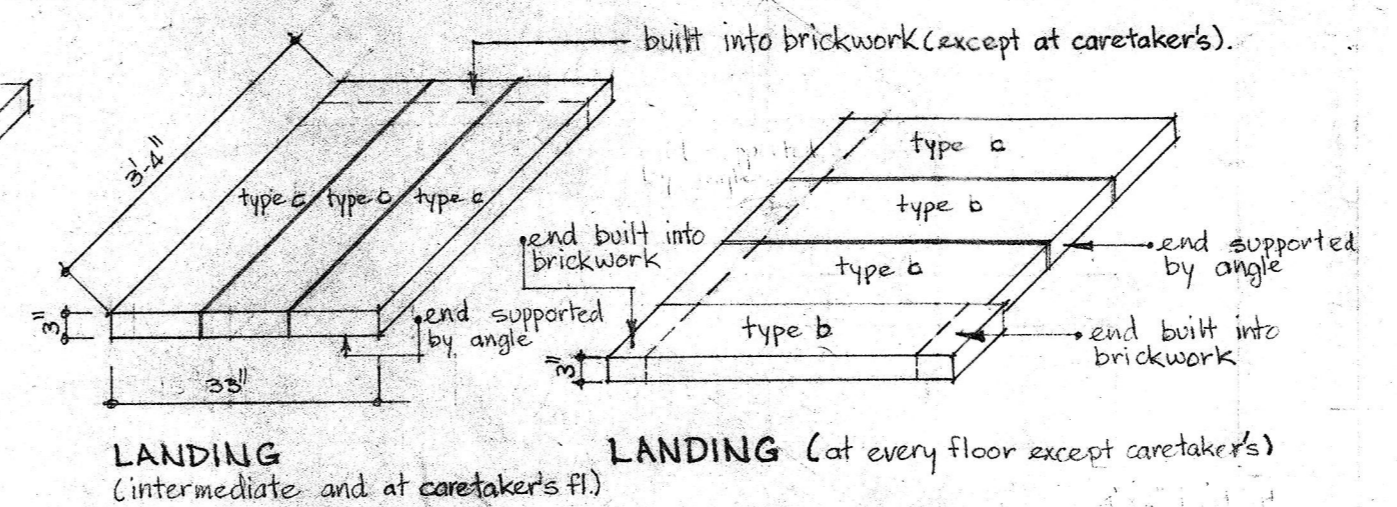
SECTION A-A
SCALE: 1/2" TO 1'-0"



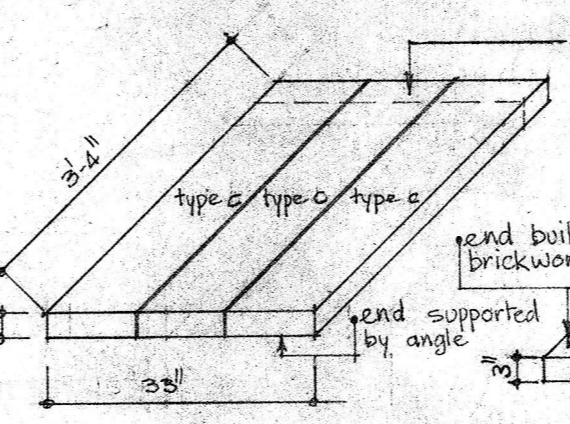
PLAN - PRECAST REINF. CONC. TREAD TYPE A
SCALE: 1" TO 1'-0"

SCHEDULE OF MATERIALS

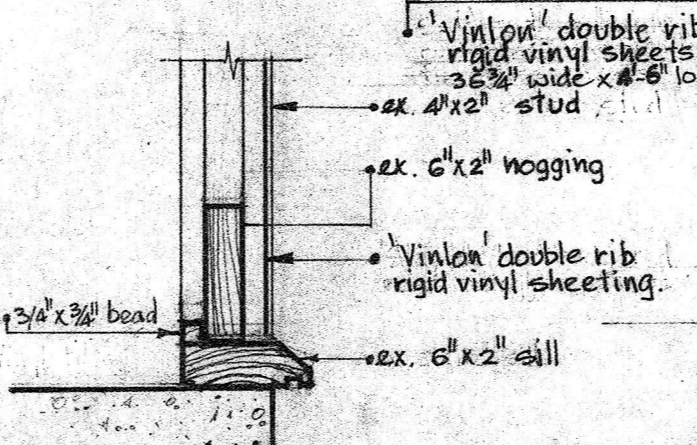
- MAIN STAIRS**
 - LANDINGS: In-situ reinforced conc. granolithic finish, soffitt render.
 - TREADS: Precast reinforced conc. exposed aggregate finish.
- ESCAPE STAIRS**
 - LANDINGS: Precast reinforced conc. exposed aggregate finish.
 - TREADS: Precast reinforced conc. exposed aggregate finish.
 - FINISH: 3/4" x 1 1/2" timber matt finish, fixed to 1/2" pipe spacer.
- HANDRAIL**



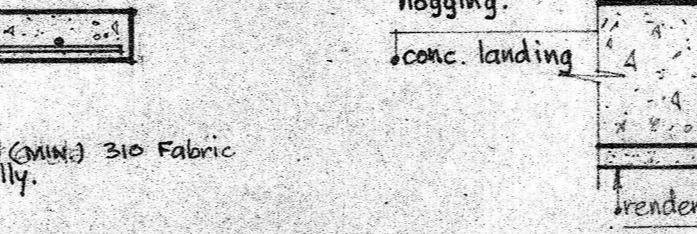
LANDING (at every floor except caretaker's)



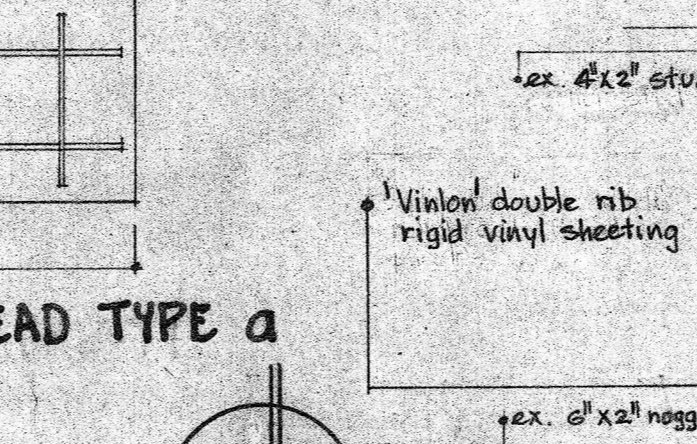
LANDING (intermediate and at caretaker's fl)



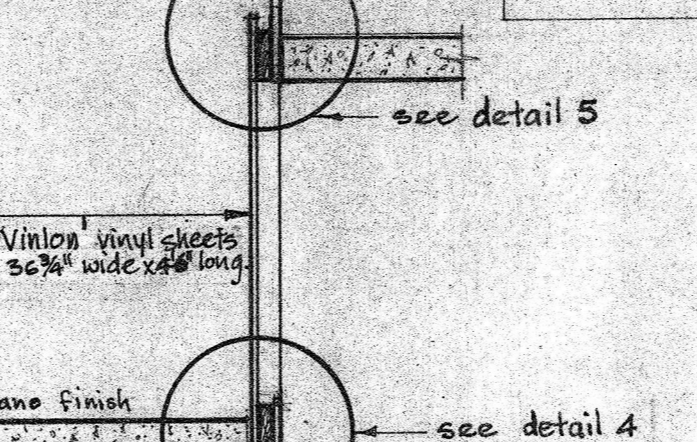
SECTION A AT GR. FLOOR
SCALE: 1/2" FULL SIZE



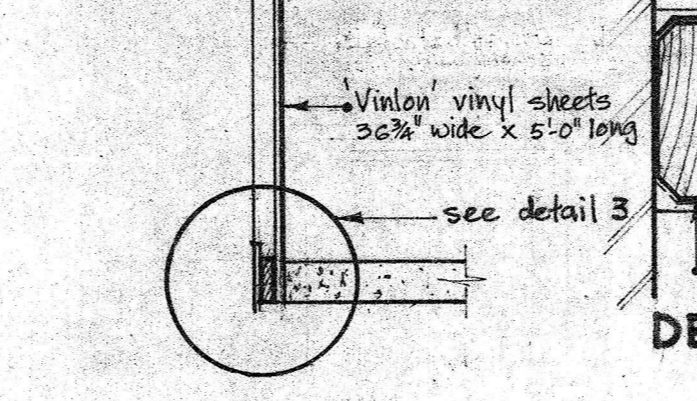
SECTION



SECTION

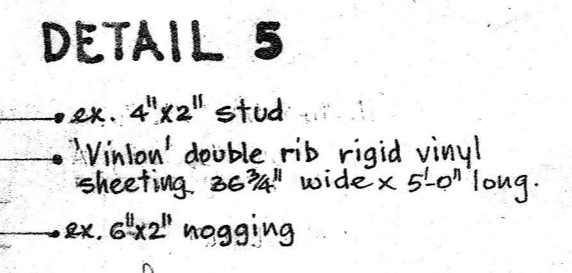


SECTION



SECTION

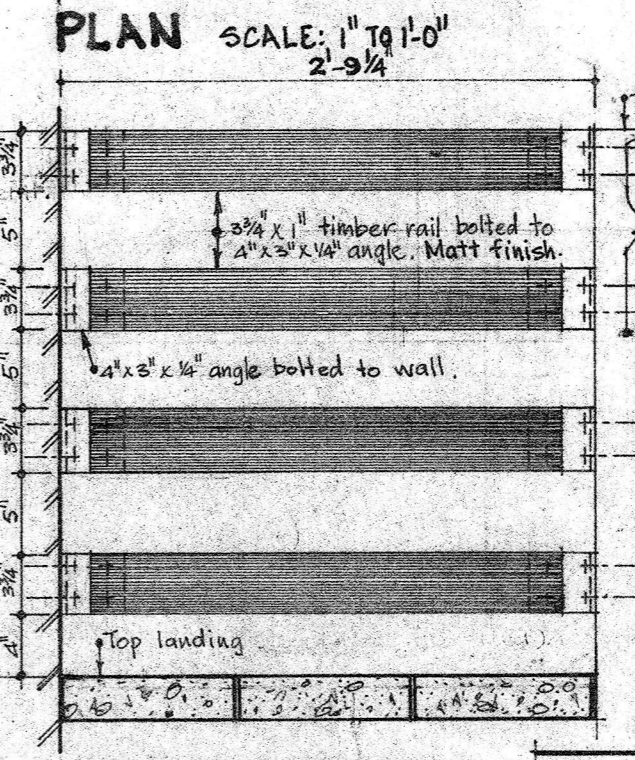
SECTION C - BELOW CARETAKER'S FL.
SCALE: 1/4 FULL SIZE



DETAIL 5

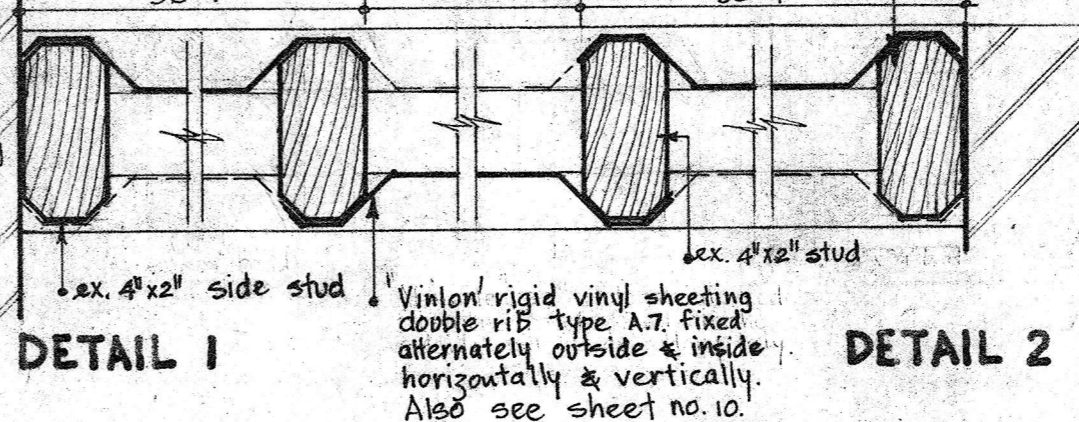
DETAIL 4

DETAIL 3



SECTION THRU TOP LANDING
SCALE: 1" TO 1'-0"

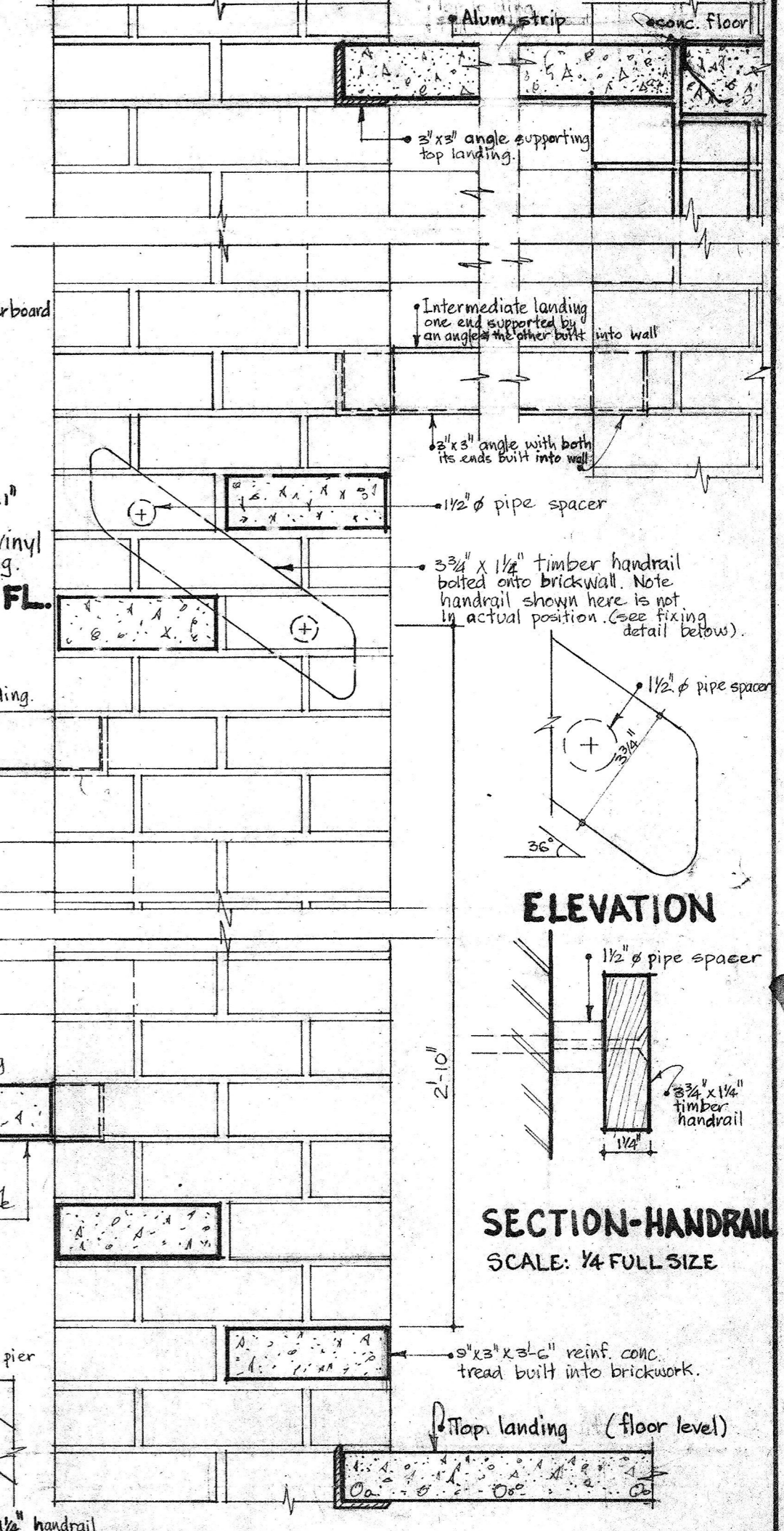
SECTIONS
SCALE: 1/4 FULL SIZE



DETAIL 1

DETAIL 2

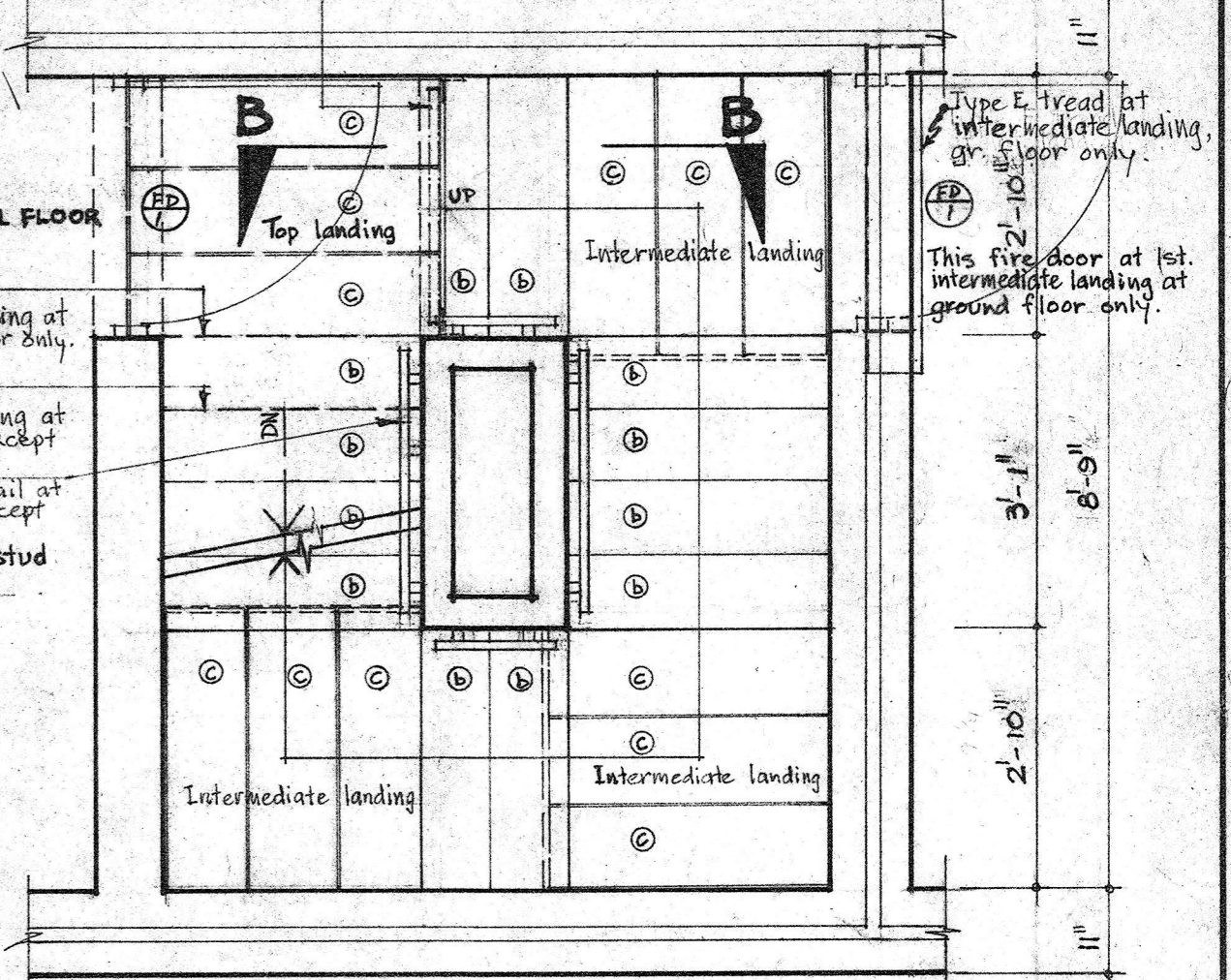
PLAN
SCALE: 1/4 FULL SIZE



SECTION-B-B
SCALE: 1/8 FULL SIZE

ELEVATION

SECTION-HANDRAIL
SCALE: 1/4 FULL SIZE



PLAN - ESCAPE STAIRS AT TYPICAL FLOOR
SCALE: 1/2" TO 1'-0"

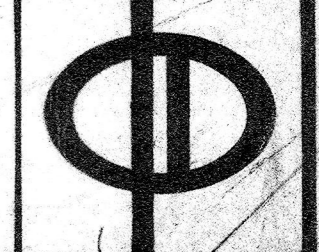
CONTRACTOR TO CHECK ALL DIMENSIONS ON SITE PRIOR TO COMMENCEMENT OF WORK

SWAN COTTAGE HOMES - PROJECT NO. 12
MULTI-STOREY HOME FOR THE AGED

BOLLIG, ABBOTT AND PARTNERS ARCHITECTS AND TOWN PLANNERS
8 COOK ST, W. PERTH TEL. 21-4402

DRAWN: S.C.L.
CHECKED:
DATE: FEB. '71
SCALE: AS SHOWN

JOB NO. 7025
SHEET 9



STAIR DETAILS